

---

# CACHE-A

## **Pro-Cache Rack Kit Assembly Instructions**

Cache-A A-Series Archive Appliance Pro-Cache Rack Kit Instructions for:  
Rack Kit CA-RK001 – provides rack ears, handles, joining places and screws  
Filler Kit CA-RK002 – provides a steel filler for mounting a single Pro-Cache

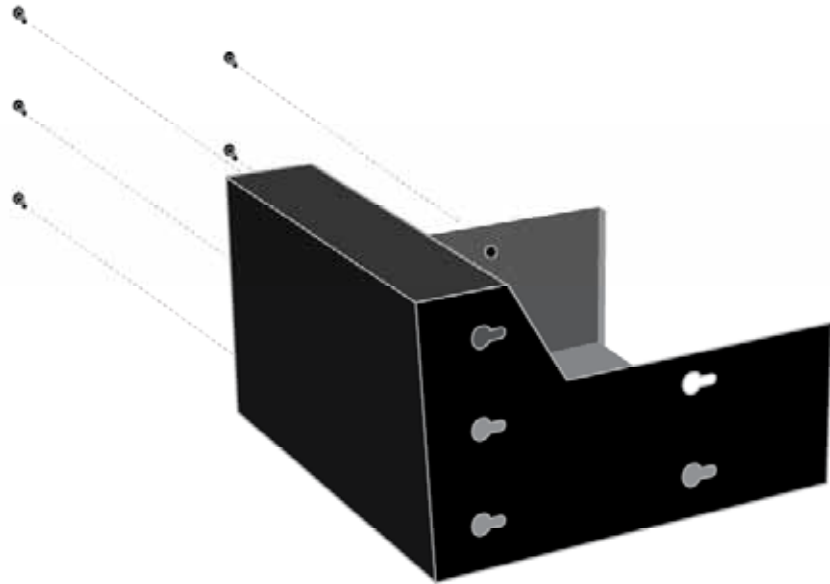
---

### **Installing the Pro-Cache Rack Kit**

One or two Pro-Cache units may be mounted in a 3RU rack space. This description will cover installation of a single unit with the optional rack blank panel – to install two Pro-Cache side-by-side, replace the filler panel with the second Pro-Cache.

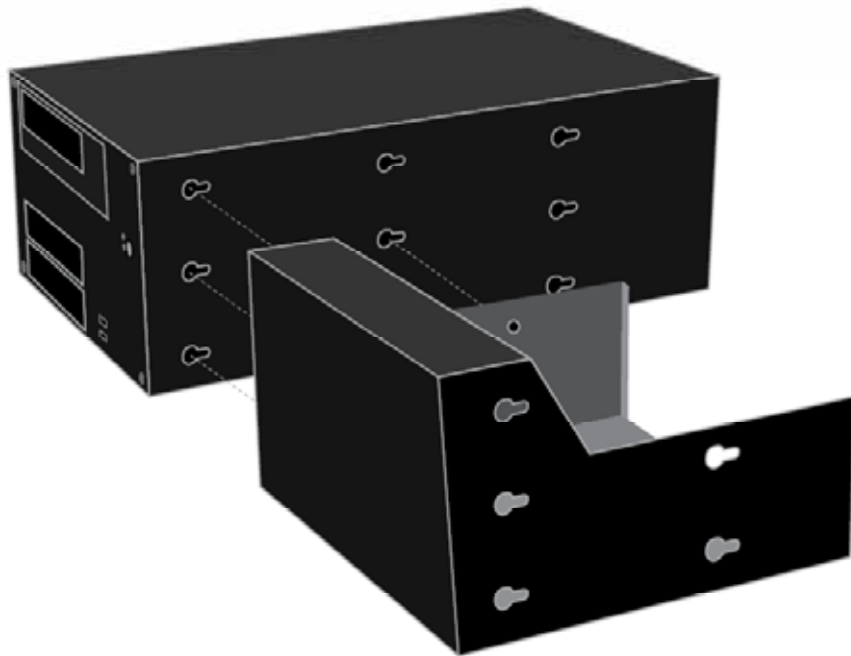
Begin by deciding whether the Pro-Cache unit will be on the right or left side – in the following diagrams, the system is on the left, but can be assembled with the unit on the right if desired.

For the unit on the left, install 5 shoulder screws on the left side of the filler panel as shown:



*Install Shoulder Screws to filler panel*

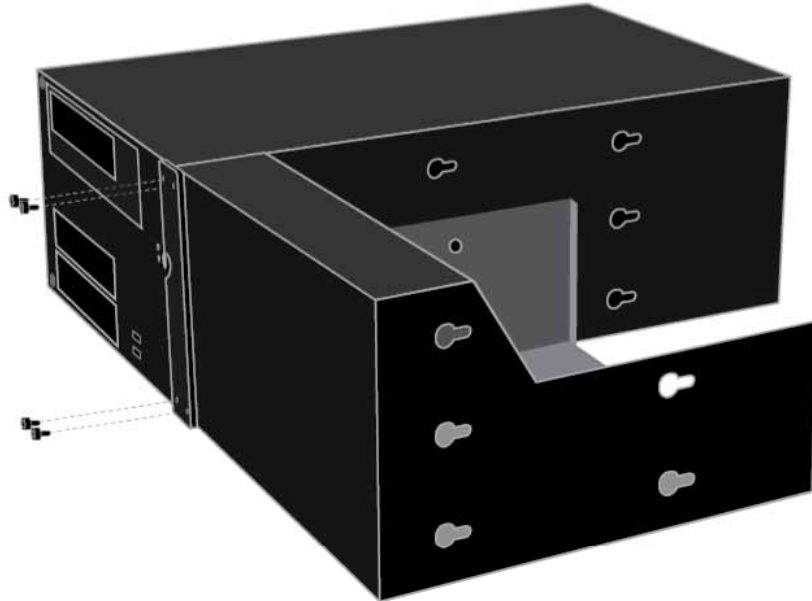
Next, place the filler panel next to the Pro-Cache inserting all of the shoulder screw heads into the large part of the slots and sliding the panel back to make the front surfaces align.



*Align Shoulder Screws with slots and slide back to join units*

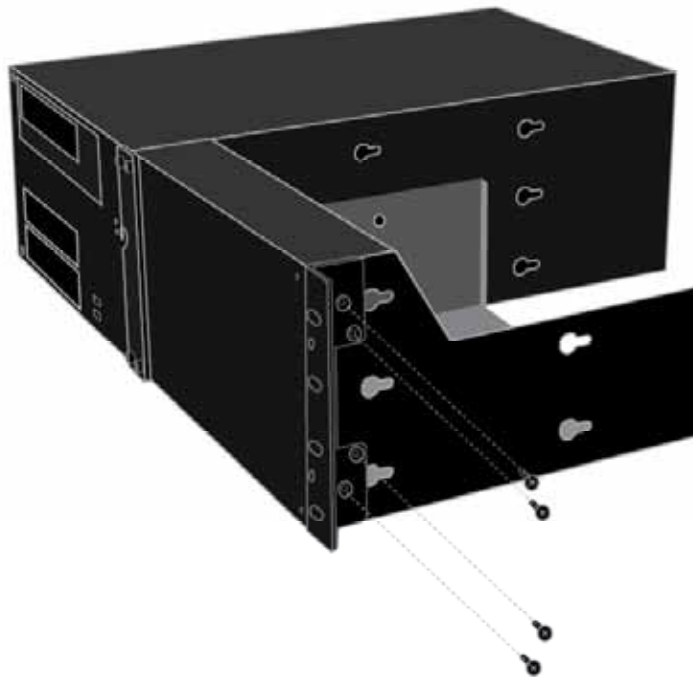
Next, remove the two front hex bolts closest to the filler panel from the front panel of the Pro-Cache.

Using the longer hex screws provided to extend through the front panel, secure the center bar plate to firmly attach the two sides as shown (you can reuse the removed shorter screws into the filler). Note: the center bar should be oriented so that the cutout leaves clearance for the power button:



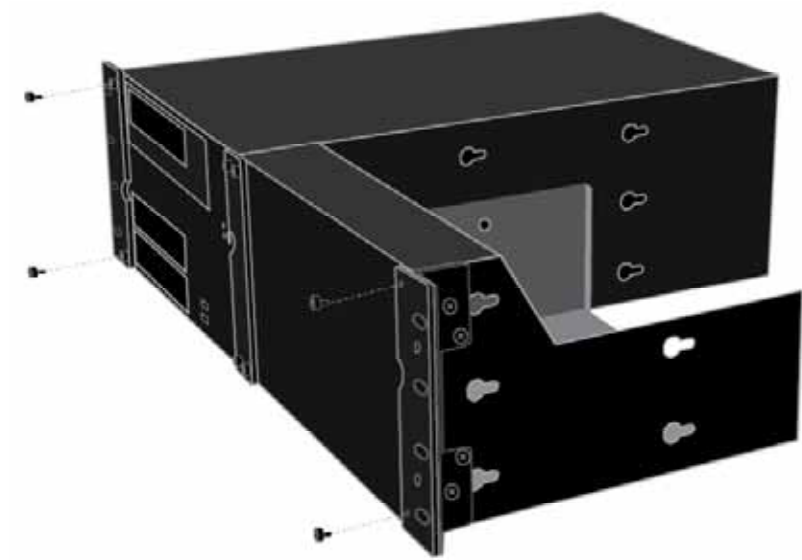
*Install the center bar to secure the units together*

Next, attach the left and right “L” brackets to each side of the assembly using the smaller flat-headed Philips screws provided:



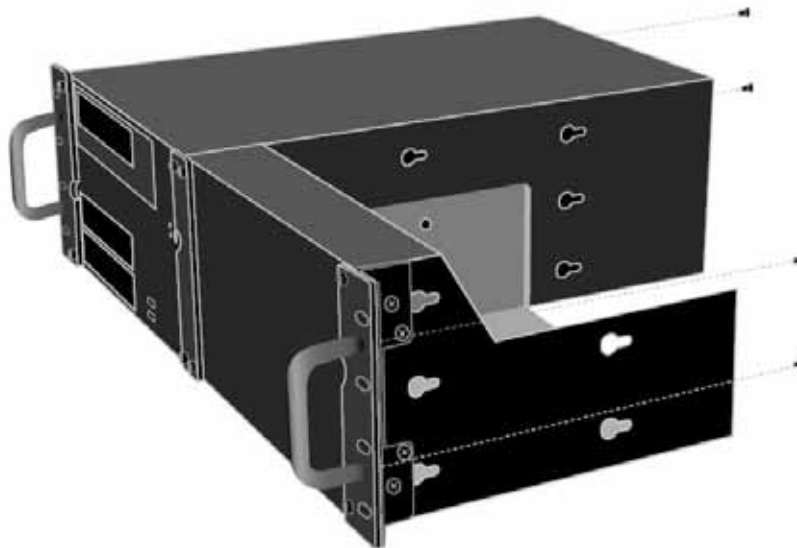
*Attach the left and right “L” brackets (only right bracket shown)*

Then remove the remaining two original hex screws on the front panel of the Pro-Cache and, using the longer hex screws provided, attach the two remaining front bracket plates:



*Attach the left and right front bracket plates*

Finally, attach the provided handles to the left and right plate/bracket assemblies using 2 each of the remaining larger flat-headed Philips screws



*Attach the rack handles*

The rack assembly is now complete and the system is ready for rack mounting.