

Canon

J11ex4.5B

Incredible "Super Wide" lens achieving 100° in diagonal and now including enhanced digital features.



EFxS

J11ex 4.5B

@IFxs

Incredible "Super Wide" lens achieving 100° in diagonal and now including enhanced digital features.

The **@IFxs** technology consists of two meanings that starts from the letter "E". One is the "Ecological Design" and the other is the "Enhanced Digital Drive" technology. Of course the new series inherits all the advantages from its predecessor, the Ifxs series.

Enhanced Digital Drive

The **@IFxs** series are equipped with an informational display and a Digital Function Selector so that the user can customize the enhanced digital functions much more easily and precisely.

Ecological Design

It is Canon's policy no to pollute the earth and the **@IFxs** series have avoided using any materials or substances that could pollute the environment.

X-Element & Power Optical System

Canon has developed a break through in optical design technology known as the "Power Optical System" whose heart is the "X-Element". Thanks to the "Power Optical System", the J11ex4.5B is offering super wide angle 100° in diagonal with improved optical quality.

Ergonomic Drive Unit

The **@IFxs** Ergonomic Drive Unit is tilted at an ideal angle of 12.5° based on Canon's original Human Algorithm, to realize good balance and comfort.

@IFxs Digital Drive System

Canon's enhanced Digital Drive System with informational display provides outstanding operation and features.

Shuttle Shot :

By memorizing any two focal lengths, the Digital Drive can automatically "shuttle" between the two points, moving in either direction.



Framing Preset :

An angle of view can be preset in either of two memories and the lens will zoom to that position by pushing a simple button. During a performance, framing preset will reproduce the zoom position decided upon at the rehearsal. It's easy to repeat the same zoom as often as you like at the highest speed or in a preset zoom speed.



Speed Preset :

A specific zoom speed can be preset in memory and it is possible to repeat the zoom speed as often as you like by pushing a simple button.



Other Features

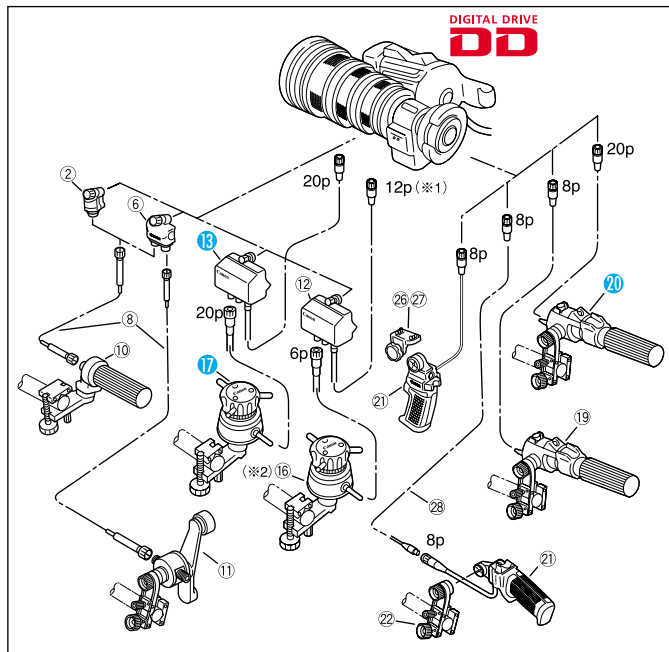
- **Zoom Track** : "Zoom Track" allows the camera operator to adjust the electronic focal length to their desired range by memorizing zoom positions at both the tele and the wide side of the zoom.
- **User Customized Settings** : User settings for zoom and focus curve mode for precise control based upon the users requirement.
- **PC connection** : PC connection for remote control or diagnosis can be accomplished via a communication interface on the lens and personal computer with optional software.

NEW Rotary Encoder

The J11ex4.5B is a lens, which is equipped with the new enhanced digital drive unit. Conventional Potentiometers are analog positional sensors capable of only 8-10 bit equivalent resolution. Thus virtual ENG studio systems called for an optional Encoder Unit to be put on the zoom and focus ring of the lens. With the introduction of 16 bit resolution Rotary Encoder Devices built into the new enhanced digital drive unit, the lens can be simply integrated into a virtual digital studio system without any additions. The encoders also enable superior precise control. The zoom servo provides a dynamic range of 0.5 sec quick zooms to an over 5 min super slow zoom. Repeatability in focus and iris control are also much more precise. Canon's unique technology has made the Encoder Device surprisingly small to be installed in the existing drive unit without changes in size or weight.



CONTROL ACCESSORIES

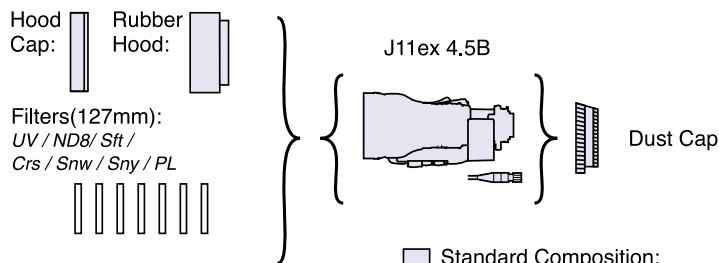


(*)1) ③ CC-2012 conversion cable is necessary to connect between IRSD Digital Drive Lens and FPM-420.

(*)2) ③ CC-2006 conversion cable is necessary to connect between IASD Digital Drive Lens and FPD-400.

#	Unit	Description	CODE
②	FFM-100	Flex Focus Module	1824A015
⑥	FFM-200	Flex Dual Module	1824A013
⑧	FC-40	Flex Cable	1824A010
⑩	FFC-200	Flex Focus Controller	1824A014
⑪	FZC-100	Flex Zoom Controller	1824A021
⑫	FPM-420	Focus Positional Servo Module	1824A026
⑮	FPM-420D	Focus Positional Servo Module	1824A129
⑭	FPM-500	Focus Positional Servo Module	1824A027
⑯	FPD-400	Focus Positional Demand	1824A018
⑰	FPD-400D	Focus Positional Demand	1824A124
⑲	ZSD-300A*/M	Zoom Demand	A 1824A066 M 1824A067
⑳	ZSD-300D	Zoom Demand	1824A123
㉑	ZSG-200A*/M	Zoom Servo Grip	A 1824A068 M 1824A069
㉒	CR-10	Clamper	1824A007
㉔	ZGA-400**	Grip Adapter	0025T616
㉘	EC-80	Zoom Extension Cable (8P)	1824A009
㉚	CC-2006	Conv. Cable (20pM-6pF)	1824A125
㉛	CC-2012	Conv. Cable (20pM-12pF)	1824A126

OPTICAL ACCESSORIES



MODEL	CODE
UV / 127mmP0.75	1823A083
Crs / 127mmP0.75	1823A085
SNW / 127mmP0.75	1823A087
SNY / 127mmP0.75	1823A088
PL / 127mmP0.75	1823A090
SFT / 127mmP0.75	1823A089
ND8 / 127mmP0.751	1823A086

- Standard Composition:
- Lens
 - Hood Unit(Hood Cap,Rubber Hood.)
 - Dust Cap.
 - Operational Manual.

North & South America

Canon U.S.A., Inc.
Broadcast and Communications Div. (Headquarters)
400 Sylvan Avenue Englewood Cliffs, NJ 07632
Tel:(201)816-2900/(800)321-4388 Fax:(201)816-2909
Email:bctv@cusa.canon.com
http://www.canonbroadcast.com/

Chicago
100 Park Blvd. Itasca, IL 60143
Tel:(630)250-6231 Fax:(630)250-0399

Atlanta
5625 Oakbrook Pkwy. Norcross, GA 30093
Tel:(770)849-7895 Fax:(770)849-7888

Los Angeles
15955 Alton Parkway Irvine, CA 92618
Tel:(949)753-4330 Fax:(949)753-4337

Dallas
3200 Regent Blvd. Irving, TX 75063
Tel:(972)409-8871 Fax:(972)409-8869

Latin America
Tel:(954)349-6975 Fax:(201)816-2909

Canada

Canon Canada, Inc.
Optics Division 6390 Dixie Road
Mississauga, Ontario, L5T 1P7, Canada
Tel:(905)795-2012 Fax:(905)795-2140

Europe/Africa/Middle East

Canon Europa N.V.
Broadcast and Communications Div.
Bovenkerkerweg 59-61
1185 XB Amstelveen
Tel:+31(0)20-5458905 Fax:+31(0)20-5458203
Email:tvprod@canon-europe.com
http://www.canon-europe.com/tv-products

Australia
Canon Australia Pty. Ltd.
Optical Products Division
1 Thomas Holt Drive, North Ryde, NSW 2113
Tel:+61(0)2-9805-2000 Fax:+61(0)2-9805-2444

China
Canon (China) Co., Ltd.
Optical Products Division 15F South Tower, Beijing
Kerry Center, 1 Guang Hua Road,
Chao Yang District, 100020, Beijing, China
Tel:(010)8529-8488 ex 133 Fax:(010)8529-6606
http://www.canon.com.cn

Asia/Japan

Canon Inc.(Broadcast Equipment Group)
20-2, Kiyohara-Kogyo-Danchi, Utsunomiya-shi,
Tochigi-ken, 321-3292
Tel:+81(0)28-667-8669 Fax:+81(0)28-667-8672
http://www.canon.com/bctv